

# “TWIN-SPOT” SERIES

Recess Ceiling-Mount Type  
“Twin-Spot”系列

## Feature

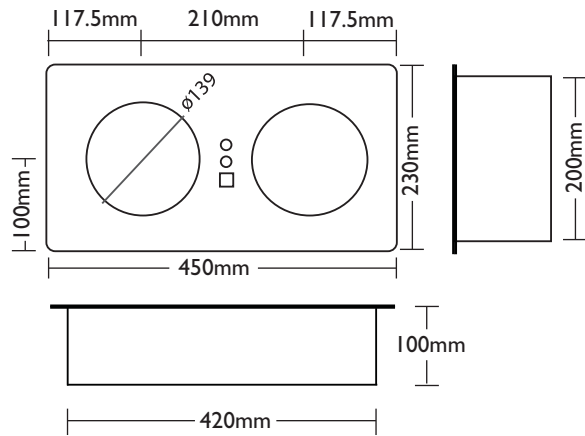
It is specially designed to fulfill the high demand of using tungsten halogen downlight. This is a state-of-art luminaire perfect ideal to provide general illumination in areas where emergency light fitting are to be concealed (or hidden). No screw will be applied because of spring lock opening.



“CRYSTALITE” Cat. CS-220

## Standards

- BS 5266 – Part I
- BS EN 60598-2-22 (850°C hot wire test)
- FSD PPA 104(A) 4<sup>th</sup> Revision



Recessed Box Size: 420 x 200 x 100mm

## Technical Data

Model	CS-220
Lamp Type	12V 20W Tungsten Halogen c/w AR111 Silver Reflector downlight
System Mode	Non-Maintained Type
Mounting	Ceiling-mount
Emergency Output	2x12V 20W Tungsten Halogen Lamp
Discharge Duration	2 Hours
Battery	Sealed Lead-Acid Battery 12V 12Ah
Recharge Period	12 Hours
Line Voltage	A/C 220V~240V 50Hz +6%-10%
Compliance	BS EN 60598-2-22 ; BS 5266-1, FSD PPA 104A (4 <sup>th</sup> Revision)



SELF-CONTAINED EMERGENCY LIGHTING SYSTEM  
Content is subject to change without notice