

# “LED GOLDEN-LITE” EXIT SIGN SERIES

## Features

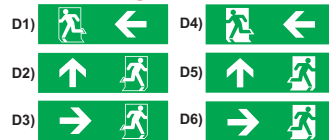
- Die-cast aluminium with golden painting
- Made of aluminium alloy casing
- Single-face wall-mount, double-face ceiling mount
- Minimum maintenance
- Lower power consumption
- c/w light guide panel
- Option: Flashing upon actuation by fire signal (dry contact)

## Legend

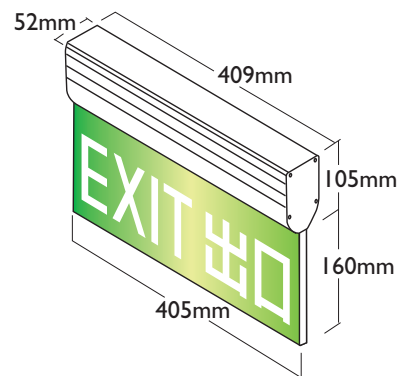
### Exit Sign



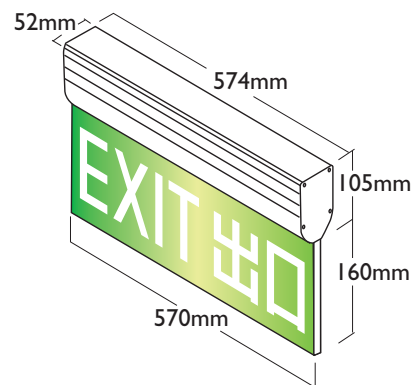
### Directional Sign



“CRYSTALITE” Cat. CX-LED-405-P-GL



“CRYSTALITE” Cat. CX-LED-570-P-GL



## Technical Data

Model	CX-LED-405-P-GL	CX-LED-570-P-GL
		<b>Aluminum Alloy Casing</b>
Lamp	Super Bright LED Line	
Line Voltage	A/C 220V~240V 50Hz +6%-10%	
Discharge Duration	3 Hours	
Recharge Period	12 Hours	
Battery	Sealed Ni-cd/ Ni-mh High Temperature Rechargeable Battery 14.4V 800mAh	
Power Consumption	~3W	
Operating Temp	0°C - 50°C	
Compliance	BS EN 60598-2-22; BS 5266-1; FSD PPA 104A(4 <sup>th</sup> Revision); FSD Code of Practice Clause 5.10 Exit Sign	



SELF-CONTAINED EMERGENCY LIGHTING SYSTEM  
Content is subject to change without notice