

# "CC-N" T8 SERIES

Self-contained, 4-Pins Emergency T8 Fluorescent Lighting System  
 "CC-N" T8 系列，長明式電池內藏緊急照明系統

## Description

The CC-N T8 Series provides emergency use on a range of T8 tubes during mains failure. It is a complete set model that contains battery, charger, batten and ballast. It provides reasonable lumen in the emergency mode. This self-contained luminaires requires a permanent power supply to keep the battery fully charged at all times.



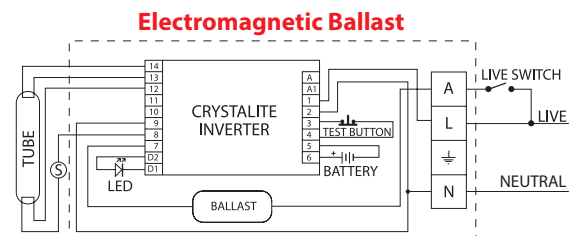
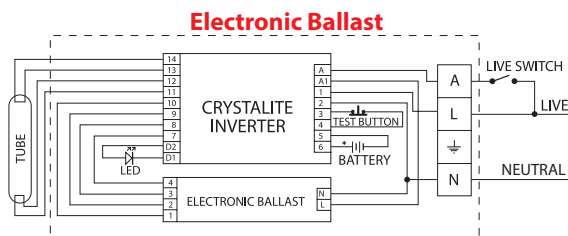
"CRYSTALITE" Cat. CC-20-N2  
 1x18W, emergency fluorescent fitting,  
 Completed set for 2 hrs discharge



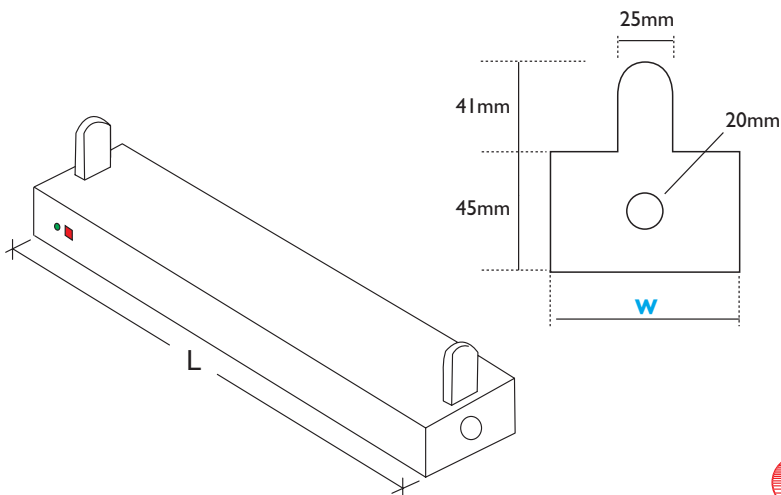
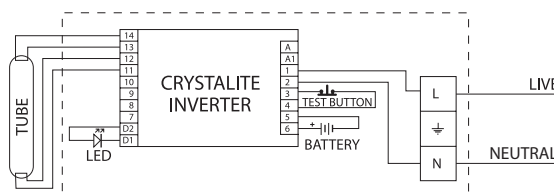
"CRYSTALITE" Cat. CC-40-N2 & CC-20-N2

## Connection Diagram

Maintained Type 長明式



Non-maintained Type  
 後備式



Tube	Dimension (W)		
	Single Batten		Twin Batten
	Electromagnetic ballast	Electronic ballast	
T8-18W	58mm	80mm	80mm
T8-30W	58mm	58mm	80mm
T8-36W	58mm	58mm	80mm
T8-58W	58mm	58mm	80mm



SELF-CONTAINED EMERGENCY LIGHTING SYSTEM  
 Content is subject to change without notice

# "CC-N" T8 SERIES

Self-contained, 4-Pins Emergency T8 Fluorescent Lighting System

"CC-N" T8 系列，長明式電池內藏緊急照明系統

## Two Hours Discharge Duration 兩小時放電

Model	CC-20-N2	CC-30-N2	CC-40-N2	CC-65-N2
Suitable Tubes	18/20W	30W	36/40W	58/65W
Emergency Output	350 lumens	500 lumens	580 lumens	650 lumens
Batten Length (L)	620mm	925mm	1230mm	1530mm
Conversion Kit	CC-20-K2	CC-40-K2	CC-40-K2	CC-65-K2
Discharge Duration	2 Hours			
Battery	Sealed Ni-cd High Temperature Rechargeable Battery			
	6V 2.2Ah	9.6V 2.2Ah	9.6V 2.2Ah	12V 2.2Ah
Line Voltage	A/C 220V~240V +6%, -10% 50Hz			
Low Voltage Discharge Protection	Electronic Protection for approximate 1V per cell			
Operating Temperature	0°C - 50°C			
Transfer Time	< 0.3 second			
Recharge Period	12 Hours			
Compliance	BS EN 60598-2-22, BS EN 61347-2-7, BS 5266-1, FSD PPA 104A (4 <sup>th</sup> Revision)			

## Three Hours Discharge Duration 三小時放電

Model	CC-20-N3	CC-30-N3	CC-40-N3	CC-65-N3
Suitable Tubes	18/20W	30W	36/40W	58/65W
Emergency Output	350 lumens	500 lumens	580 lumens	650 lumens
Batten Length (L)	620mm	925mm	1230mm	1530mm
Conversion Kit	CC-20-K3	CC-40-K3	CC-40-K3	CC-65-K3
Discharge Duration	3 Hours			
Battery	Sealed Ni-cd High Temperature Rechargeable Battery			
	7.2V 2.2Ah	12V 2.2Ah	12V 2.2Ah	9.6V 4.0Ah
Line Voltage	A/C 220V~240V +6%, -10% 50Hz			
Low Voltage Discharge Protection	Electronic Protection for approximate 1V per cell			
Operating Temperature	0°C - 50°C			
Transfer Time	< 0.3 second			
Recharge Period	12 Hours For 2 Hours discharge / 24 Hours For 3 Hours discharge			
Compliance	BS EN 60598-2-22, BS EN 61347-2-7, BS 5266-1, FSD PPA 104A (4 <sup>th</sup> Revision)			