

# "SUPER" SERIES FOR REMOTE LED DRIVER

## Description

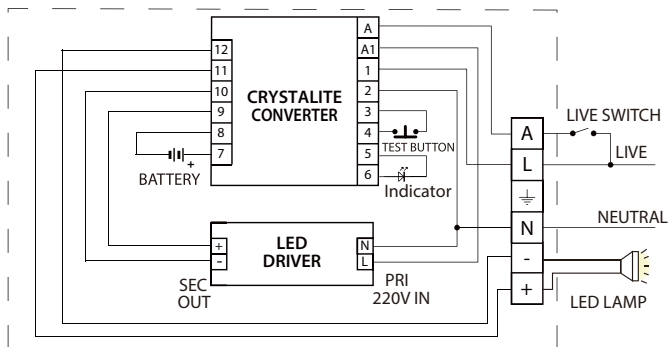
Most of LED downlight, COB, strips and LED tube contains LED driver. It can be backed up with emergency Kits. The Kits contain battery packs that can light up the lamp for 2 or 3 hours duration.

## Standards

- BS EN 60598-2-22
- BS EN 61347-2-7
- BS 5266-1
- FSD PPA 104(A) 4<sup>th</sup> Revision

## Connection Diagram

Maintained Type 長明式



## Two Hours Discharge Duration 兩小時放電

| Model              | CC-R12-LED-2-K2   | CC-R12-LED-5-K2   | CC-R12-LED-8-K2   |
|--------------------|---|-------------------|-------------------|
| Suitable Lamps     | DC 1~15V LED lamp   |                   |                   |
| Emergency Output   | (2W / AC Power) %   | (5W / AC Power) % | (8W / AC Power) % |
| Discharge Duration | 2 Hours   |                   |                   |
| Battery            | Sealed Ni-cd/ Ni-mh High Temperature Rechargeable Battery |                   |                   |
|                    | 6V 1.5Ah  | 6V 2.2Ah          | 12V 2.2Ah         |

| Model              | CC-R24-LED-5-K2   | CC-R24-LED-8-K2   | CC-R24-LED-13-K2   | CC-R24-LED-17-K2   |
|--------------------|---|-------------------|--------------------|--------------------|
| Suitable Lamps     | DC 15~36V LED lamp  |                   |                    |                    |
| Emergency Output   | (5W / AC Power) %   | (8W / AC Power) % | (13W / AC Power) % | (17W / AC Power) % |
| Discharge Duration | 2 Hours   |                   |                    |                    |
| Battery            | Sealed Ni-cd/ Ni-mh High Temperature Rechargeable Battery |                   |                    |                    |
|                    | 12V 1.5Ah   | 12V 2.2Ah         | 12V 4Ah            | 12V 5Ah            |

| Model              | CC-R48-LED-5-K2   | CC-R48-LED-8-K2   | CC-R48-LED-13-K2   |
|--------------------|---|-------------------|--------------------|
| Suitable Lamps     | DC 30~55V LED lamp  |                   |                    |
| Emergency Output   | (5W / AC Power) %   | (8W / AC Power) % | (13W / AC Power) % |
| Discharge Duration | 2 Hours   |                   |                    |
| Battery            | Sealed Ni-cd/ Ni-mh High Temperature Rechargeable Battery |                   |                    |
|                    | 12V 1.5Ah   | 12V 2.2Ah         | 12V 4Ah            |

| Model              | CC-R64-LED-5-K2   | CC-R64-LED-8-K2   | CC-R128-LED-5-K2    |
|--------------------|---|-------------------|---------------------|
| Suitable Lamps     | DC 50~70V LED lamp  |                   | DC 70~150V LED lamp |
| Emergency Output   | (5W / AC Power) %   | (8W / AC Power) % | (5W / AC Power) %   |
| Discharge Duration | 2 Hours   |                   |                     |
| Battery            | Sealed Ni-cd/ Ni-mh High Temperature Rechargeable Battery |                   |                     |
|                    | 12V 1.5Ah   | 12V 2.2Ah         | 12V 2.2Ah           |

|                                  |   |
|----------------------------------|---|
| Line Voltage                     | A/C 220V~240V +6%, -10% 50Hz  |
| Low Voltage Discharge Protection | Electronic Protection for approximate 1V per cell   |
| Operating Temperature            | 0°C - 50°C  |
| Transfer Time                    | < 0.3 Second  |
| Recharge Period                  | 12 Hours  |
| Compliance                       | BS EN 60598-2-22, BS EN 61347-2-7, BS 5266-1, FSD PPA 104A (4 <sup>th</sup> Revision)             |
| Metal Case (L x W x H)           | (MB-802: 350 x 160 x 50 mm) Or (MB-808: 440 x 160 x 50mm) - Depends on the size of the LED Driver |

Special-made Metal Box is available upon request



SELF-CONTAINED EMERGENCY LIGHTING SYSTEM  
Content is subject to change without notice