

# “MEGA” SERIES

Emergency LED Luminaires & Energy Saving Lamp

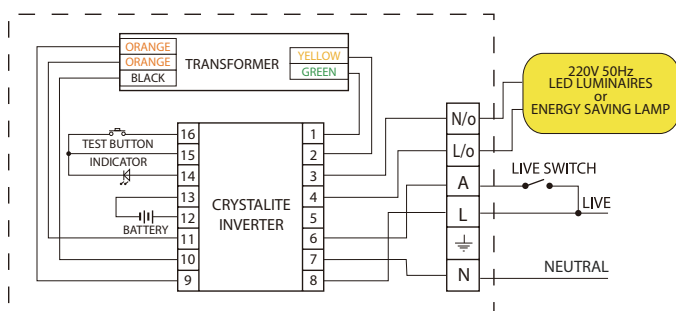
## Description

LED Luminaires & Energy Saving Lamp with high inrush current from integral LED driver can be used with M-LED Series emergency Kit. The Kits contain battery packs that can light up the lamp for 2 or 3 hours duration.

## Standards

- BS EN 60598-2-22
- BS EN 61347-2-7
- BS 5266-1
- FSD PPA 104(A) 4<sup>th</sup> Revision

## Connection Diagram



## LED Luminaires



“CRYSTALITE” CAT. CC-M-LED-15-K2

## Technical Data

Model	CC-M-LED-7-K2	CC-M-LED-15-K2	CC-M-LED-19-K2	CC-M-LED-25-K2	CC-M-LED-30-K2
Suitable Lamps (Power Consumption)	8W Max.	16W Max.	20W Max.	26W Max.	30W Max.
Emergency Output	70%				
Discharge Duration	2 Hours				
Battery	Sealed Ni-cd / Ni-mh High Temperature Rechargeable Battery				
	12V 2.2Ah	12V 4.0Ah	12V 5.0Ah	12V 7.0Ah	12V 7.0Ah
Line Voltage	A/C 220V~240V +6%, -10% 50Hz				
Low Voltage Discharge Protection	Electronic Protection for approximate 1V per cell				
Operating Temperature	0°C - 50°C				
Transfer Time	< 0.3 Second				
Recharge Period	12 Hours				
Compliance	BS EN 60598-2-22, BS EN 61347-2-7, BS 5266-1, FSD PPA 104A (4 <sup>th</sup> Revision)				
Metal Case (L x W x H)	<b>MB-818</b> 390 x 160 x 50 mm			<b>MB-812</b> 340 x 155 x 70 mm	

## Technical Data

Model	CC-M-LED-7-K3	CC-M-LED-15-K3	CC-M-LED-19-K3
Suitable Lamps (Power Consumption)	8W Max.	16W Max.	20W Max.
Emergency Output	70%		
Discharge Duration	3 Hours		
Battery	Sealed Ni-cd / Ni-mh High Temperature Rechargeable Battery		
	12V 4.0Ah	12V 5.0Ah	12V 7.0Ah
Line Voltage	A/C 220V~240V +6%, -10% 50Hz		
Low Voltage Discharge Protection	Electronic Protection for approximate 1V per cell		
Operating Temperature	0°C - 50°C		
Transfer Time	< 0.3 Second		
Recharge Period	12 Hours for 2 Hours discharge / 24 Hours for 3 Hours discharge		
Compliance	BS EN 60598-2-22, BS EN 61347-2-7, BS 5266-1, FSD PPA 104A (4 <sup>th</sup> Revision)		
Metal Case (L x W x H)	<b>MB-818</b> 390 x 160 x 50 mm		<b>MB-812</b> 340 x 155 x 70 mm

## ADDITIONAL FUNCTION FOR MEGA SERIES

### Description

Some of the LED Luminaires having wattage consumption greater than 30W that is difficult to support by emergency kit. If the LED Luminaire with a build-in 1-10V dimming driver, it can make use of the 1-10V dimming function to be backed up by Crystalite emergency kit for 2or 3 hours duration.

### Standards

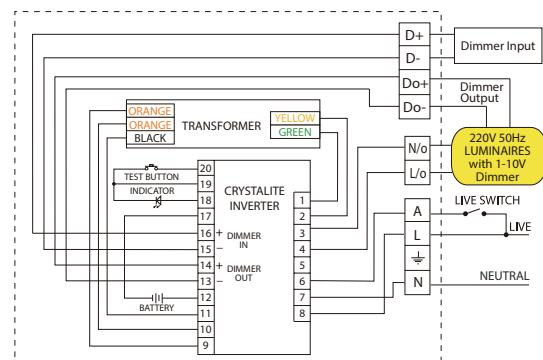
- BS EN 60598-2-22
- BS EN 61347-2-7
- BS 5266-1
- FSD PPA 104(A) 4<sup>th</sup> Revision



LED Luminaires with 1-10V dimmer

### Connection Diagram

Maintained Type 長明式



## Technical Data

Model	CC-M-LED-15-DK2	CC-M-LED-15-DK3
Suitable Lamps	High Wattage LED Luminaire with build-in 1-10V Dimming driver	
Emergency Output	(~15W / AC Power) %	
Discharge Duration	2 Hours	3 Hours
Battery	Sealed Ni-cd / Ni-mh High Temperature Rechargeable Battery	
	12V 4.0Ah	12V 5.0Ah
Line Voltage	A/C 220V~240V +6%, -10% 50Hz	
Low Voltage Discharge Protection	Electronic Protection for approximate 1V per cell	
Operating Temperature	0°C - 50°C	
Transfer Time	< 0.3 Second	
Recharge Period	12 Hours for 2 Hours discharge / 24 Hours for 3 Hours discharge	
Compliance	BS EN 60598-2-22, BS EN 61347-2-7, BS 5266-1, FSD PPA 104A (4 <sup>th</sup> Revision)	
Metal Case (L x W x H)	<b>MB-808</b> 440 x 160 x 50 mm	



SELF-CONTAINED EMERGENCY LIGHTING SYSTEM  
Content is subject to change without notice