

“CC-N” T5 SERIES

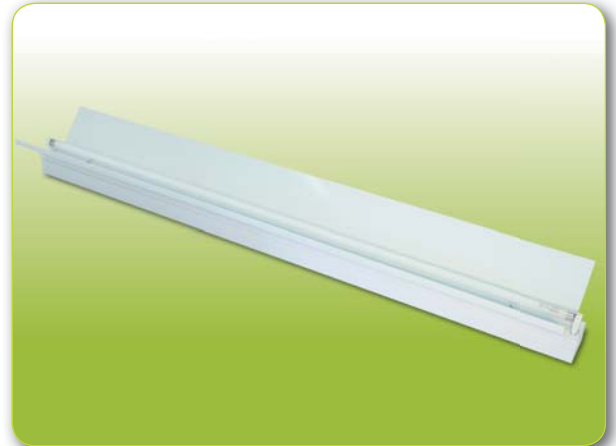
Self-contained, 4-Pins Emergency T5 Fluorescent Lighting System for T5 fluorescent tube
 “CC-N” T5 系列，長明式電池內藏緊急照明系列

Description

T5 fluorescent tube is getting popular in everyday life. These tubes are specially designed for operating with electronic ballast and to provide a better efficiency in terms of lower power consumption compared with tradition T8 fluorescent tubes.



“CRYSTALITE” Cat. CC-T5-14-N2
 1x14W, emergency fluorescent fitting
 Completed set for 2 hrs discharge



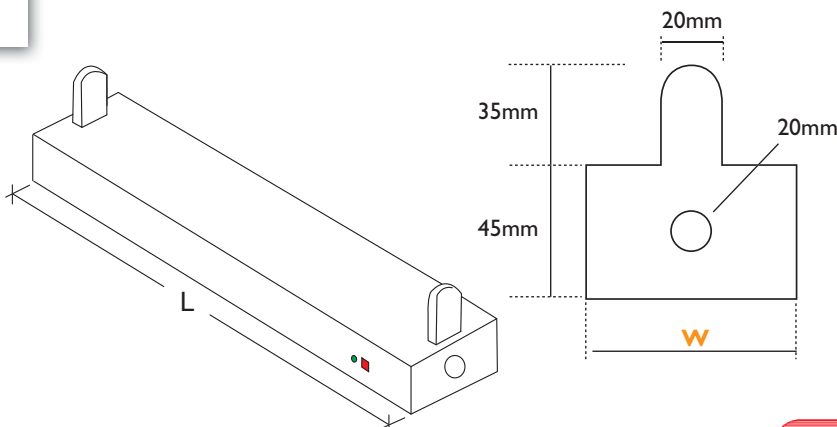
“CRYSTALITE” Cat. CC-T5-28-N2
 1x28W, emergency fluorescent fitting with metal reflector (option)
 Completed set for 2 hrs discharge



“CRYSTALITE” Cat. CC-T5-14-N2
 1x14W, emergency fluorescent fitting
 Completed set for 2 hrs discharge



CRYSTALITE” Cat. CC-T5-14-N2 (Single Batten)
 & CC-T5-14-N2T (Twin Batten)

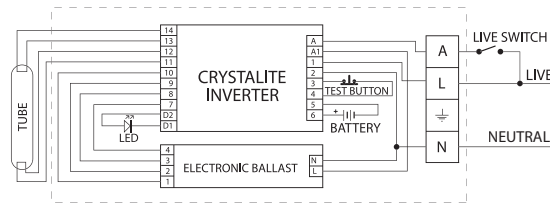


Tube	Dimension (W)		
	Single Batten	Twin Batten	
		Emergency x1	Emergency x2
T5-14W	80mm	80mm	120mm
T5-21W	58mm	80mm	120mm
T5-28W	58mm	80mm	90mm
T5-35W	58mm	80mm	90mm

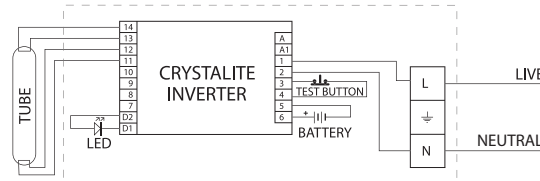
“CC-N” T5 SERIES

Self-contained, 4-Pins Emergency T5 Fluorescent Lighting System for T5 fluorescent tube
 “CC-N” T5 系列 · 長明式電池內藏緊急照明系列

Maintained Type
長明式



Non-maintained Type
後備式



Two Hours Discharge Duration 兩小時放電

Model	CC-T5-14-N2	CC-T5-21-N2	CC-T5-28-N2	CC-T5-35-N2
Suitable Tubes	T5 14W	T5 21W	T5 28W	T5 35W
Emergency Output	475 lumens	600 lumens	700 lumens	800 lumens
Dimension (L x W)	580 x 80 mm	880 x 58 mm	1180 x 58mm	1480 x 58mm
Conversion Kit	CC-T5-14-K2	CC-T5-21-K2	CC-T5-28-K2	CC-T5-35-K2
Discharge Duration	2 Hours			
Battery	Sealed Ni-cad High Temperature Rechargeable Battery			
	6V 1.5Ah	9.6V 1.8Ah	9.6V 1.8Ah	12V 2.2Ah
Line Voltage	A/C 220V~240V +6%, -10% 50Hz			
Low Voltage Discharge Protection	Electronic Protection for approximate 1V per cell			
Operating Temperature	0°C - 50°C			
Transfer Time	< 0.3 Second			
Recharge Period	12 Hours			
Compliance	BS EN 60598-2-22, BS EN 61347-2-7, BS 5266-1, FSD PPA 104A(4 th Revision)			

Three Hours Discharge Duration 三小時放電

Model	CC-T5-14-N3	CC-T5-21-N3	CC-T5-28-N3	CC-T5-35-N3
Suitable Tubes	T5 14W	T5 21W	T5 28W	T5 35W
Emergency Output	475 lumens	600 lumens	700 lumens	800 lumens
Dimension (L x W)	580 x 80 mm	880 x 58 mm	1180 x 58mm	1480 x 58mm
Conversion Kit	CC-T5-14-K3	CC-T5-21-K3	CC-T5-28-K3	CC-T5-35-K3
Discharge Duration	3 Hours			
Battery	Sealed Ni-cad High Temperature Rechargeable Battery			
	6V 2.2Ah	12V 2.2Ah	12V 2.2Ah	9.6V 4Ah
Line Voltage	A/C 220V~240V +6%, -10% 50Hz			
Low Voltage Discharge Protection	Electronic Protection for approximate 1V per cell			
Operating Temperature	0°C - 50°C			
Transfer Time	< 0.3 Second			
Recharge Period	12 Hours For 2 Hours discharge / 24 Hours For 3 Hours discharge			
Compliance	BS EN 60598-2-22, BS EN 61347-2-7, BS 5266-1, FSD PPA 104A(4 th Revision)			



SELF-CONTAINED EMERGENCY LIGHTING SYSTEM
 Content is subject to change without notice