

"PL 2-PINS" SERIES

Conversion Kit Series for Compact Fluorescent Lamp
兩針筷子光管及蝴蝶光管電池組件

Description

Most shopping malls, restaurants and commercial offices would adopt 2-Pins compact fluorescent lamps such as PL 7-26W and 2D 16-28W. These lamps can be used at emergency when "PL 2-Pins Kits" are used. The Kits contain the battery packs that can light on the lamp for 2 to 3 hours duration.

Application

System Mode:	Maintained or Non-maintained Type
Battery:	Rechargeable high temperature Ni-cd or Ni-mh cells
Recharge Period:	12 Hours for 2 Hours discharge, 24 Hours for 3 Hours discharge
Test Switch:	Provided
LED Indicator:	Charging and mains on
Input Voltage:	A/C 220V~240V +6%, -10% 50Hz
Low Voltage Discharge Protection:	Electronic Protection for approximate 1V per cell
Operating Temperature:	0°C - 50°C



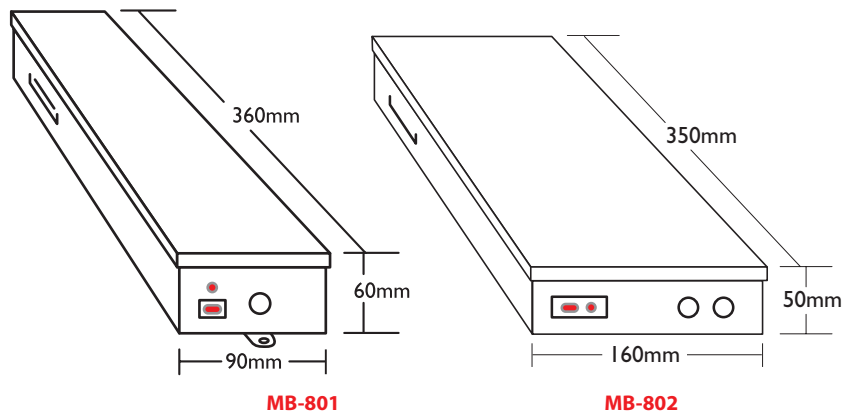
"CRYSTALITE" Cat. CC-PL-18-K2
2-Pins compact fluorescent conversion kit, 2 hours discharge



"CRYSTALITE" Cat. CC-PL-18-K3
2-Pins compact fluorescent conversion kit, 3 hours discharge

Standards

- BS EN 60598-2-22
- BS EN 61347-2-7
- BS 5266-1
- FSD PPA 104A (4th Revision)

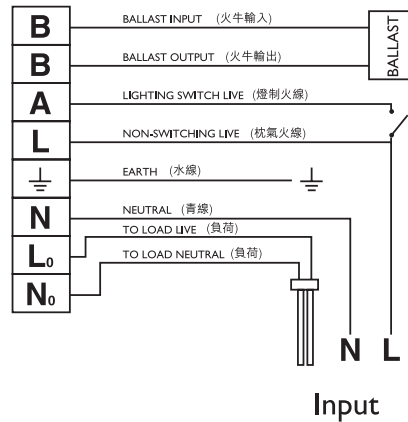


“PL 2-PINS” SERIES

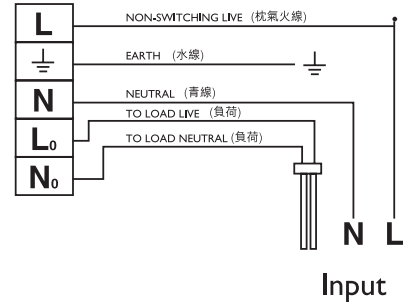
Conversion Kit Series for Compact Fluorescent Lamp
兩針筷子光管及蝴蝶光管電池組件

Connection Diagram

Maintained Type 長明式



Non-maintained Type 後備式



Two Hours Discharge Duration 兩小時放電

Model	CC-PL-13-K2	CC-PL-18-K2	CC-PL-26-K2
Suitable Tubes (2-pins)	PL 7-13W	PL 18W, 2D 16W	PL 26W, 2D 28W
Emergency Output	50%		
Discharge Duration	2 Hours		
Battery	Sealed Ni-cd /Ni-mh High Temperature Rechargeable Battery		
	9.6V 2.2Ah	9.6V 2.2Ah	12V 2.2Ah
Line Voltage	A/C 220V~240V +6%, -10% 50Hz		
Low Voltage Discharge Protection	Electronic Protection for approximate 1V per cell		
Operating Temperature	0°C - 50°C		
Transfer Time	< 0.3 Second		
Recharge Period	12 Hours		
Compliance	BS EN 60598-2-22, BS EN 61347-2-7, BS 5266-1, FSD PPA 104A (4 th Revision)		
Metal Case	360 x 90 x 60 mm (L x W x H)		

Three Hours Discharge Duration 三小時放電

Model	CC-PL-13-K3	CC-PL-18-K3	CC-PL-26-K3
Suitable Tubes (2-pins)	PL 7-13W	PL 18W, 2D 16W	PL 26W, 2D 28W
Emergency Output	50%		
Discharge Duration	3 Hours		
Battery	Sealed Ni-cd /Ni-mh High Temperature Rechargeable Battery		
	9.6V 4.0Ah	9.6V 4.0Ah	12V 4.0Ah
Line Voltage	A/C 220V~240V +6%, -10% 50Hz		
Low Voltage Discharge Protection	Electronic Protection for approximate 1V per cell		
Operating Temperature	0°C - 50°C		
Transfer Time	< 0.3 Second		
Recharge Period	12 Hours For 2 Hours discharge / 24 Hours For 3 Hours discharge		
Compliance	BS EN 60598-2-22, BS EN 61347-2-7, BS 5266-1, FSD PPA 104A(4 th Revision)		
Metal Case	350 x 160 x 50 mm (L x W x H)		



SELF-CONTAINED EMERGENCY LIGHTING SYSTEM
Content is subject to change without notice